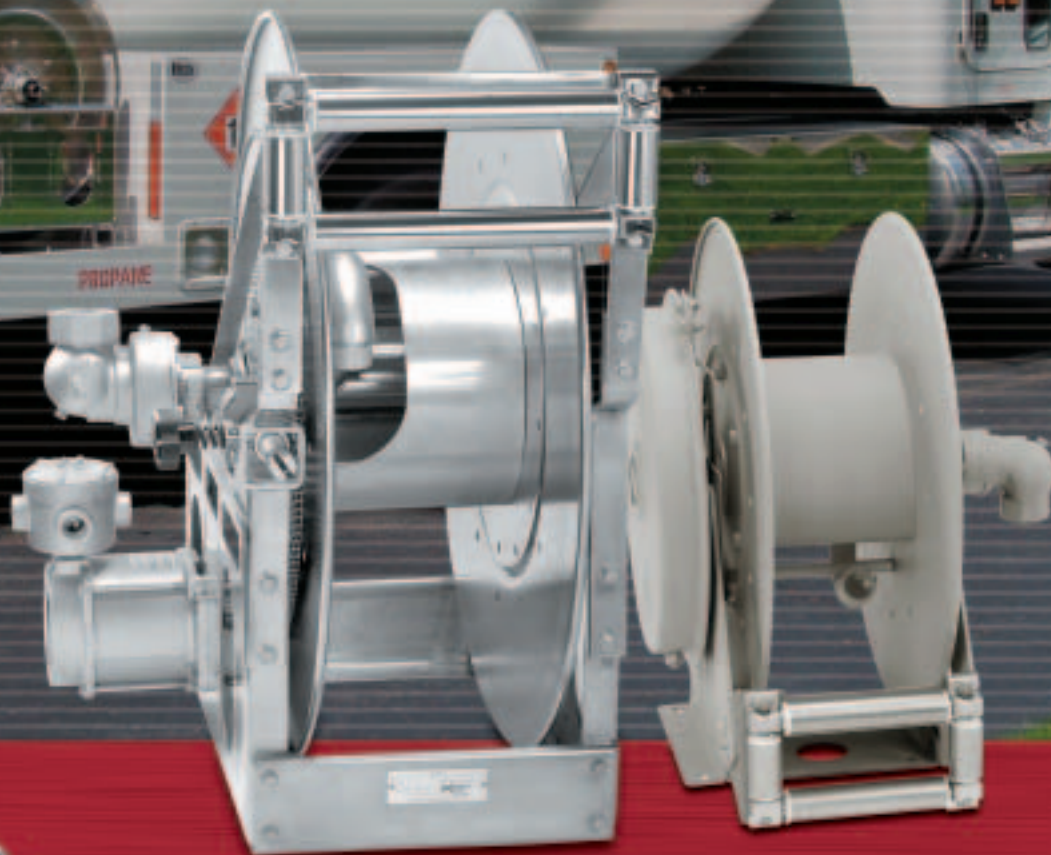


FAMILY OWNED AND OPERATED SINCE 1933



Hannay Reels®
The reel leader.

LP Gas Hose Reels



The
Hannay
Way

Home Delivery Trucks • Dispensing Systems
Fueling Vehicles • Filling Stationary and Portable Cylinders

www.hannay.com

Pride in workmanship • Reels built to order • Consistent quality • Service with integrity • Value for your dollar

Note to Designers and Engineers:

The reels shown in this catalog are the standard of the industry.

These models reflect various installation and performance requirements.

The high quality of our standard steel construction is only the beginning.

Hannay Reels offers any size configuration to fit a defined space, and we construct many models of reels with aluminum or stainless steel. Specifically, we use 5000 and 6000 Series aluminum and 304 stainless steel in the

manufacture of frames, discs, drums and internals as well as other structural components. This type of construction eliminates the need for maintenance repainting and part replacement due to rust or corrosion.

Please consult factory on any fuel handling questions. For a listing of accessories and components available on our standard reel models such as roller guides, switches, brakes and locks, etc., please refer to our Ordering & Accessory Guide H-0415-OA.

S E R I E S

PB/DPB

MANUAL OR POWER REWIND REELS

To handle single 1" through 1-1/2" I.D. hose.

- Series PB are explosion-proof reels.
- New DPB Series reel is direct drive eliminating the use of chain and sprockets.
- Choose gear-driven crank rewind, chain and sprocket drive powered by an electric, hydraulic or compressed air motor or direct drive hydraulic rewind motor.
- Crank rewind reels and direct drive reels supplied with pinion brake.
- Power rewind reels (chain & sprocket driven) supplied with a strap brake. Other brake and locking devices may be specified.
- Standard inlet is 90° ball bearing swivel joint with 1-1/2" female NPT threads.
- Standard outlet is a flanged riser with 1" female NPT threads. Standard inlet, outlet riser, and hub assembly are steel.
- Other sizes and/or threads can be furnished and must be specified.
- Rollers and roller mounting brackets are accessory items. Specify roller position.
- Pressures to 350 psi (24 bar).
- Temperatures from -40° F to +350° F (-40° C to +177° C).
- Consult factory for other pressures and temperatures.



Series PB
Electric Rewind Shown



Series DPB
Direct Drive Hydraulic Rewind

PB/DPB

Parts Drawing – ISO 18

Model Number	Hose Capacity of Reel			Approx. Weight Crank Rewind		Reel Dimensions***									
	feet			lb.		inches									
	m.			kg.		mm.									
For Power Rewind See Note 5	I.D. (in)	1"	1-1/2"	NET*	SHIP	A	B	D	E	F POWER	F DIRECT DRIVE HYD	G	H	X	Y
	I.D. (mm)	25	38												
	O.D. (in)	1.5"	2.16"												
	O.D. (mm)	38	55												
PB24-23-24		125	50	102	144	21	15.5	20.5	22.75	29.25	35.12	23.5	12.12	13	16.75
		38	15	46	65	533	394	521	578	743	892	597	308	330	425
PB30-23-24		150	75	115	157	27.5	22	20.5	22.75	35.75	41.62	23.5	12.12	19.5	16.75
		46	23	52	71	699	559	521	578	908	1057	597	308	495	425
PB24-25-26		150	75	110	152	21	15.5	25.5	24.75	29.25	35.12	27.88	15.5	13	21.75
		46	23	50	69	533	394	648	629	743	892	708	394	330	552
PB28-25-26		200	100	123	165	25.5	20	25.5	24.75	33.75	39.62	27.88	15.5	17.5	21.75
		61	30	56	75	648	508	648	629	857	1006	708	394	445	552
PB22-30-31		250	100	118	168	19	13.5	25.5	28.75	27.25	33.12	29.88	15.5	11	21.75
		76	30	54	76	483	343	648	730	692	841	759	394	279	552
PB18-33-34		200	75	117	167	14.5	9.5	31.5	31.75	23.75	29.12	33.62	17.75	7	27.75
		61	23	53	76	368	241	800	806	603	740	854	451	178	705

Notes:

1. Specifications subject to change.
2. Upon request, reels can be supplied with drum lengths other than shown and with disc sizes in other diameters.
3. Dimensions shown for reels up to and including 30-31 disc size reflect pressed frames. All others are channel frames.
4. Weights shown in chart are for crank rewind models. ADD these amounts for power rewind models:

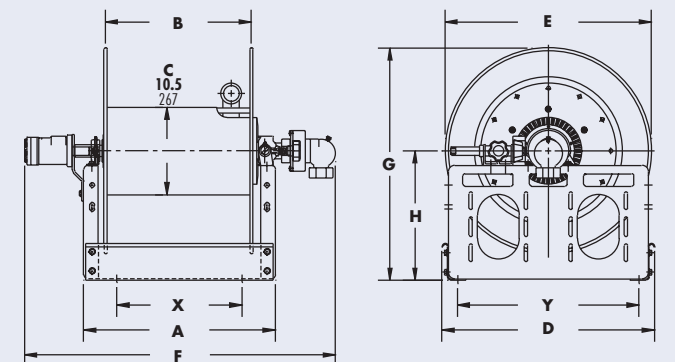
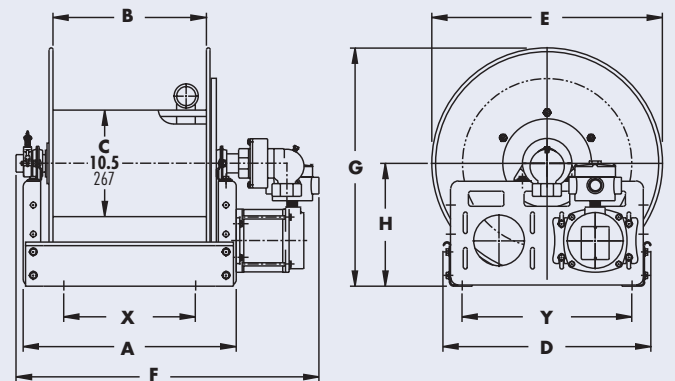
	Net (lbs.)	Ship (lbs.)	Net (kg.)	Ship (kg.)
Electric	40	40	18.1	18.1
Hydraulic	20	20	9.1	9.1
Air	20	20	9.1	9.1

5. When ordering power rewind models, prefix model number with:
 A = Air Rewind – Supplied with control valve and hose.
 E = Explosion Proof Electric Rewind (1/2 HP) – Supplied with explosion proof switch, solenoid, and junction box.
 HD = Hydraulic Rewind – Not supplied with control valve.
 D = Direct Drive Hydraulic Rewind – Not supplied with control valve

6. Be sure to check dimensions and weights prior to ordering.

NOTICE: A Flexible Connector must be used between the inlet pipe and the inlet swivel joint.

***x,y indicate mounting holes.



PBGMT/PBGMB

POWER REWIND REELS

To handle single 1" or 1-1/2" I.D. hose.

Both Series

- Choose chain and sprocket drive powered by an electric, hydraulic or compressed air motor or direct drive hydraulic rewind motor.
- Auxiliary crank rewind standard on DPB Series reels. Available on PB Series power rewind reels, at extra cost.
- Direct drive hydraulic rewind reels supplied with pinion brake. Electric powered rewind reels supplied with a strap brake.
- Other brake and locking devices may be specified. (See Ordering & Accessory Guide)
- Standard inlet is 90° ball bearing swivel joint with 1-1/2" female NPT threads.
- Standard outlet is a flanged riser with 1" female NPT threads.
- Standard inlet, outlet riser, hub assembly are steel.
- Other sizes and/or threads can be furnished and must be specified.
- Pressures to 350 psi (24 bar).
- Temperatures from -40° F to +350° F (-40° C to +177° C).
- Consult factory for other pressures and temps.

Series PBGMB

- For PBGMB reels the assembly B bottom wind roller is standard.



Series PBGMT with Top-Mounted Guidemaster

Standard Configuration Shown /
Electric Rewind Shown



Series PBGMB with Bottom-Mounted Guidemaster

Electric Rewind Shown

PBGMT/PBGMB

Parts Drawing: Both Series PBGMT and Series PBGMB – ISO 18 and ISO 195

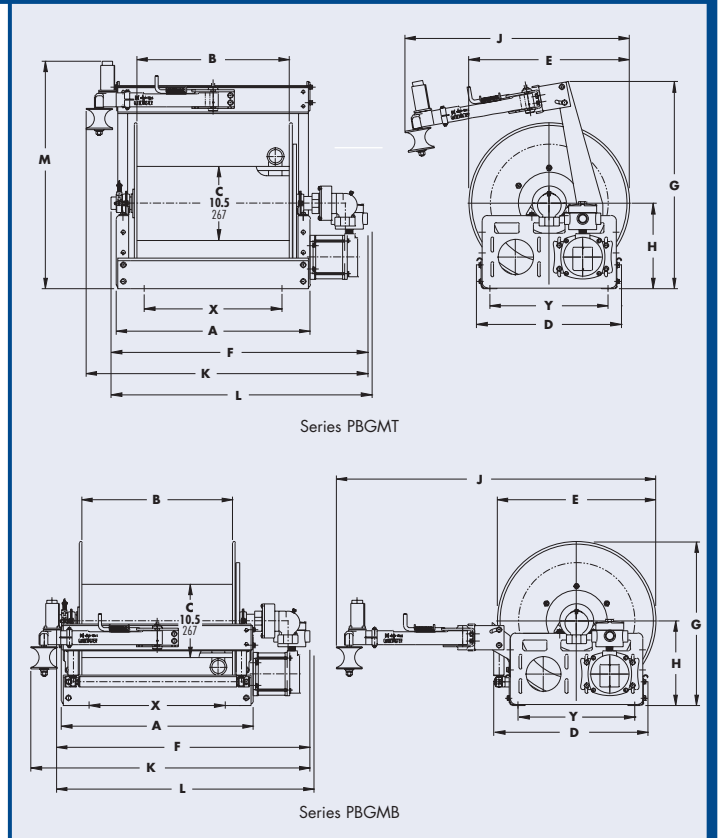
Model Number	Cable Capacity of Reel feet m.			Approx. Weight Crank Rewind lb. kg.		Reel Dimensions*** inches mm.														
	O.D. (in)	1"	1-1/2"	NET	SHIP	A	B	D	E	F	F DIRECT DRIVE	G	H	J	K	L	M	X	Y	
	O.D. (mm)	1.5"	2.16"																	PWR
For Power Rewind See Note 3	O.D. (in)	1"	1-1/2"																	
	O.D. (mm)	25	38																	
PBGMT 24-23-24		125	50	168	193	21	15.5	20.5	22.75	29.25	35.12	29.5	12.12	33	36.75	30	31.5	13	16.75	
		38	15	76	88	533	394	521	578	743	892	749	308	838	933	762	800	330	425	
PBGMT 30-23-24		150	75	178	208	27.5	22	20.5	22.75	35.75	41.62	29.5	12.12	33	40.62	36.75	31.5	19.5	16.75	
		46	23	81	94	699	559	521	578	908	1057	749	308	838	1032	933	800	495	425	
PBGMT 28-25-26		200	110	181	211	25.5	20	25.5	24.75	33.75	39.62	33	15.5	34	39	34.75	35	17.5	21.75	
		61	34	82	96	648	508	648	629	857	1006	838	394	864	991	883	889	445	552	
PBGMB 24-23-24		125	50	160	185	21	15.5	20.5	22.75	29.25	35.12	23.5	12.12	49	36.75	30	-	13	16.75	
		38	15	73	84	533	394	521	578	743	892	597	308	1245	933	762	-	330	425	
PBGMB 30-23-24		150	75	170	200	27.5	22	20.5	22.75	35.75	41.62	23.5	12.12	49	36.75	36.75	-	19.5	16.75	
		46	23	77	91	699	559	521	578	908	1057	597	308	1245	933	933	-	495	425	
PBGMB 28-25-26		200	100	191	221	25.5	20	25.5	24.75	33.75	39.62	27.88	15.5	47.75	39	34.75	-	17.5	21.75	
		61	30	87	100	648	508	648	629	857	1006	708	394	1213	991	883	-	445	552	
PBGMB 18-33-34		200	75	175	225	14.5	9.5	31.5	31.75	23.75	29.12	33.62	17.75	56.75	33.5	26.75	-	7	27.75	
		61	23	79	102	368	241	800	806	603	740	854	451	1441	851	679	-	178	705	

Notes:

- Specifications subject to change.
- Upon request, reels can be supplied with drum lengths other than shown and with disc sizes in other diameters.
- When ordering power rewind models, prefix model number with:
 A = Air Rewind—Supplied with control valve and hose.
 E = Explosion Proof Electric Rewind (1/2 HP)—Supplied with explosion proof switch, solenoid, and junction box.
 HD = Hydraulic Rewind—Not supplied with control valve.
 D = Direct Drive Hydraulic Rewind—Not supplied with control valve.
- Dimension J is maximum, with Guidemaster in operating position. Dimension K is maximum, with Guidemaster in traveling position opposite rewind motor, as shown in dimensional drawing. Dimension L is maximum, with Guidemaster in traveling position on same side as rewind motor.
- Guidemaster weight is approximately 21 lbs. Guidemasters are shipped as parts.

6. Be sure to check dimensions and weights prior to ordering.
NOTICE: A Flexible Connector must be used between the inlet pipe and the inlet swivel joint.

***x,y indicate mounting holes.

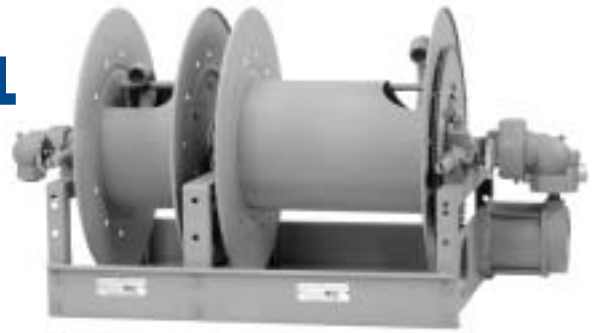


PBM

POWER REWIND LIQUID REEL WITH MANUAL REWIND VAPOR REEL

To handle 1" through 1-1/2" I.D. liquid hose & 1/2" through 1" vapor hose.

- Gear-driven crank on vapor reel.
- Chain and sprocket drive powered by an electric, hydraulic or compressed air motor liquid reel.
- Pinion shaft brake standard.
- Other locking devices may be specified.
- Standard inlet is 90° ball bearing swivel joint with 1-1/2" female NPT threads.
- Manual rewind reel: 1" female NPT 90° ball bearing swivel joint.
- Liquid reel: flanged riser, 1" female NPT threads.
- Vapor reel: riser, 1" female NPT threads.
- Standard inlet, outlet riser, and hub assembly are steel.
- Other sizes and/or threads can be furnished and must be specified.
- Rollers and roller mounting brackets are accessory items. Specify roller position.
- Pressures to 350 psi (24 bar).
- Temperatures from -40° F to +350° F (-40° C to +177° C).
- Consult factory for other pressures and temps.



Series PBM
Standard Configuration Shown
Electric Rewind Shown

Parts Drawing – ISO 123

Model Number	Hose Capacity of Reel						Approx. Weight		Reel Dimensions***									
	feet m.								NET	SHIP	inches mm.							
	Liquid Reel			Vapor Reel			A	B			B1	D	E	F PWR	G	H	X	Y
I.D. (in) I.D. (mm)	1" 25	1-1/2" 38	1/2" 13	3/4" 19	1" 25													
O.D. (in) O.D. (mm)	1.5" 38	2.16" 55	.94" 24	1.26" 32	1.5" 38													
PBM 24-16-23-24	25	50	175	80	75	256	286	32	15.5	7.5	23.75	23	46.25	23.88	12.5	24.5	20	
	38	15	53	24	23	116	130	813	394	191	603	584	1175	607	318	622	508	
PBM 30-16-23-24	150	75	175	80	75	264	294	38.5	22	7.5	23.75	23	52.75	23.88	12.5	31	20	
	46	23	53	24	23	120	133	978	559	191	603	584	1340	607	318	787	508	
PBM 28-16-25-26	200	100	225	100	75	267	297	36.5	20	7.5	25.5	24.75	50.75	25.88	13.5	29	21.75	
	61	30	69	30	23	121	135	927	508	191	648	629	1289	657	343	737	552	

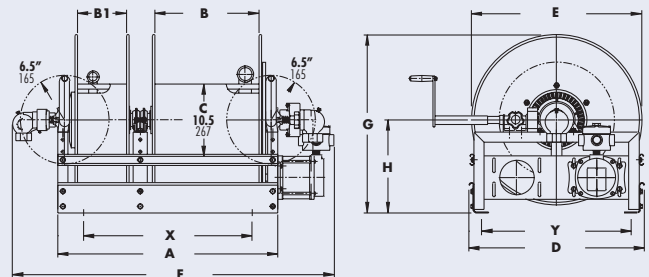
Notes:

1. Specifications subject to change.
2. Upon request, reels can be supplied with drum lengths other than shown and with disc sizes in other diameters.
3. When ordering power rewind models, prefix model number with:
A = Air Rewind – Supplied with control valve and hose.
E = Explosion Proof Electric Rewind (1/2 HP) – Supplied with explosion proof switch, solenoid, and junction box.
HD = Hydraulic Rewind – Not supplied with control valve.

4. Be sure to check dimensions and weights prior to ordering.

NOTICE: A Flexible Connector must be used between the inlet pipe and the inlet swivel joint.

***x,y indicate mounting holes.



PBN800/PB800

SPRING REWIND REELS

To handle 1/2" to 1" I.D. hose.



Series PBN800
Standard Configuration
Shown

Series PB800
Standard Configuration
Shown

- Standard N series narrow frame
- Channel frame for heavy-duty applications must be specified.
- Non sparking ratchet locks reel
- Declutching arbor to prevent damage from reverse winding.
- Standard inlet is 90° ball bearing swivel joint with 1" female NPT threads.
- Standard outlet is 1" female NPT threads.
- Other sizes and/or threads can be furnished and must be specified.
- Pressures to 350 psi (24 bar).
- Temperatures from -40° F to +350° F (-40° C to +177° C).
- Consult factory for other pressures and temps.
- Supplied 4-way roller assembly. Specify roller position.

**Parts Drawing: Series PBN800 – ISO 81,
Series PB800 – ISO 42**

Model Number	Hose Capacity of Reel				Approx. Weight		Roller Assy Supplied on Std. Models	Reel Dimensions***														
	feet				NET*	SHIP		inches														
	m.							mm.														
Delete prefix N for Channel Frame	I.D. (in)	1/2"	3/4"	1"			A	N/A	B	C	D	E	N/E	F	N/F	G	N/G	H	N/H	N/X	X	Y
	I.D. (mm)	13	19	25			235	254	102	267	635	663	641	448	400	657	660	343	346	203	114	559
PBN816-25-26B	65	60	35	96	131	N204	9.25	10	4	10.5	25	26.12	25.25	17.63	15.75	25.88	26	13.5	13.62	8	4.5	22
	20	18	11	44	59		235	254	102	267	635	663	641	448	400	657	660	343	346	203	114	559
PBN818-25-26B	60	70	50	102	137	N206	11.25	12	6	10.5	25	26.12	25.25	19.63	17.75	25.88	26	13.5	13.62	10	6.5	22
	18	21	15	46	62		286	305	152	267	635	663	641	499	451	657	660	343	346	254	165	559
PB816-30-31-15.5G	110	75	40	124	159	R204	9.25	-	4	15.5	28.5	30.5	-	17.63	-	31.88	-	17	-	-	4.5	25.5
	34	23	12	56	72		235	-	102	394	724	775	-	448	-	810	-	432	-	-	114	648
PB820-25-26A	75	85	75	131	166	R308	13.25	-	8	10.5	25	27	-	22.38	-	25.88	-	13.5	-	-	8.5	22
	23	26	23	59	75		337	-	203	267	635	686	-	568	-	657	-	343	-	-	216	559
PB820-30-31A	75	100	100	137	172	R308	13.25	-	8	15.5	28.5	30.5	-	22.38	-	31.38	-	17	-	-	8.5	25.5
	23	30	30	62	78		337	-	203	394	724	775	-	568	-	797	-	432	-	-	216	648

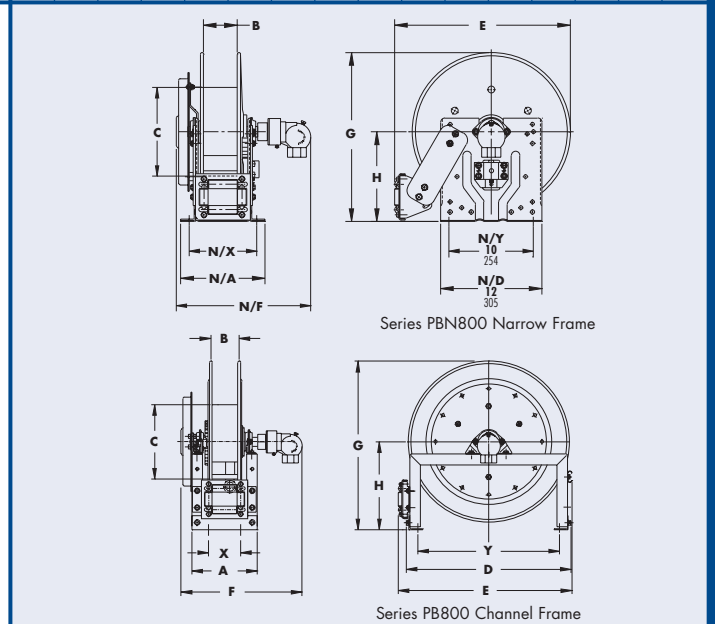
Notes:

1. Specifications subject to change.
 2. Others sizes, from standard components, available on request.
 3. For optional locations of joint and spring motor placement – consult factory.
 4. Be sure to check dimensions and weights prior to ordering.
- NOTICE:** A Flexible Connector must be used between the inlet pipe and the inlet swivel joint.

***x,y indicate mounting holes.



Available Roller Positions



Series PBN800 Narrow Frame

Series PB800 Channel Frame

Trust the Reel Leader for LP Gas Reels.

Hannay Reels Are Custom-Built for Better Performance.

Don't trust a "one-size-fits-all" or "adjustable" LP gas reel. Only Hannay LPG reels are built to fit your specific application, guaranteeing a perfect fit.

With more than 70 years of experience, Hannay Reels is the reel leader. Our LPG reels are the only ones to provide years of trouble-free operation in home delivery trucks, dispensing systems and fueling vehicles, and for filling stationary and portable cylinders.

Hannay LPG reels – available in aluminum, stainless steel, and e-coated and painted steel – give you superior protection against contamination and corrosion in sensitive or harsh environments. With minimal potential for rust, these durable reels are the wisest choice for any LP gas application.

Because Hannay reels are custom manufactured for your needs, unconventional installations – such as inverted mounting – are easy to accommodate. Adjustable reels just can't offer that sort of versatility.

Don't take chances or settle for second-best. Trust Hannay Reels with your LPG delivery.



Petroleum Reels catalog and Static Grounding Reels information sheet also available.



Family owned and operated since 1933, Hannay Reels is a leader in both OEM and aftermarket applications. Hannay offers thousands of standard hose reel and cable reel models, as well as unmatched custom capabilities. We can easily and affordably customize a reel to meet your exact specifications – built to last, delivered fast. Additional catalogs are available through your local Hannay Reels dealer or online at www.hannay.com.



553 State Route 143 • Westerlo, New York 12193-0159
Toll Free Phone: 1-877-GO-REELS • Toll Free Fax: 1-800-REELING

E-mail: reels@hannay.com

Intl. Phone: 1-518-797-3791 • Intl. Fax: 1-518-797-3259

www.hannay.com



MADE IN U.S.A.